

# BOSE608PX

## 60cm, 10 Function, Built In Pyrolytic Oven

**BLANCO**



### Model Code

BOSE608PX

### Description

60cm, 10 Function, Pyrolytic Oven

### Accessories

Included Accessories:

- 2 x safety anti-tip shelves
- 1 x QuartzClean baking dish
- 1 x grill insert
- 1 x grill handle
- 1 x fully extendable telescopic runners

### Warranty

BLANCOCare™ 2 years parts & labour

### Features

#### QuartzClean Enamelled Interior

Hard wearing QuartzClean enamel cavity facilitates the cleaning of the cooking chamber. The nicklefree composition allows the enamel to withstand temperatures up to 600°C whilst resisting acidic spills.

#### Pyrolytic Self-Cleaning

Offering two separate cleaning functions, this efficient cleaning system saves you time and money. No need for chemical based products. The oven is cleaned thoroughly and any debris is turned into ash which can be easily wiped after the cycle is complete.

#### PyroVari

Ability to choose the time that the pyro process takes choosing anything between 1 hour and 3 hours. It is a highly efficient cleaning system which saves your time and money spent on cleaning products.

#### Quad Glazed Door

The quadruple layered door with thermo-reflective glass offers not only a cooler to touch surface but also increases the energy efficiency as the heat is retained within the oven.

#### Fully programmable timer

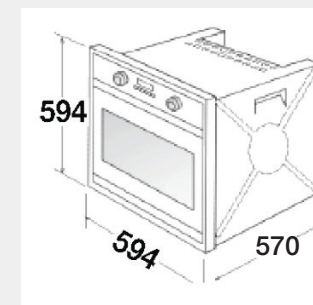
The fully programmable touch control operation enables you to set the start and finish time of your cooking where the oven will automatically switch off when finished.

#### Control Panel Child lock

When this feature is engaged all oven operations are inhibited preventing children from activating the oven.

### Benefits

## Specifications



Product Dimensions:	594h x 594w x 570d mm
Cut-out size (proudmount):	592h x 592w x 570d mm
Cut-out size (flushmount):	596h x 596w x 580d mm
Power Requirement:	230-240V – 50Hz
Electrical connection:	15 amp – cable supplied – hard wired
Oven volume:	65 litre capacity
Oven Functions:	Fan Forced, Full Grill, Fan Grill, Traditional, Traditional ECO, Half Grill, Bottom Element with Fan, Pyrolytic, Defrost, Light
Lighting:	25 W

### Oven Elements:

Grill element:	2300 W
Oven bottom element:	1100 W
Fan forced element:	2300 W
Hot air fan motor:	20-25 W
Cooling fan motor:	25 W

NOTE: It is advisable to check dimensions of physical product when measuring for installation and before doing any cut outs.

\*Due to continual product development the information provided is not final and may be subject to change.