

BOSE607X

60cm, 7 Function, Built In Electric Oven



Model Code

BOSE607X

Description

60cm, 7 Function, Electric Oven

Accessories

Included Accessories:

- 2 x safety anti-tip shelves
- 1 x QuartzClean baking dish
- 1 x grill insert
- 1 x grill handle
- 1 x fully extendable telescopic runner
- Catalytic self-cleaning liners

Warranty

BLANCOCare™ 4 years parts & labour

Features

Benefits

66 Litre Capacity

The new design of the Elite Collection has delivered a larger usable space to cook those special dinners for the family.

Triple Glazed Thermo-reflective Door

The triple layered door with thermo-reflective glass offers not only a cooler to touch surface but also increases the energy efficiency as the heat is retained within the oven.

QuartzClean Enamelled Interior

Hard wearing QuartzClean enamel cavity facilitates the cleaning of the cooking chamber. The nicklefree composition allows the enamel to withstand temperatures up to 600°C whilst resisting acidic spills.

Fully Extendable Telescopic Runner

When using the telescopic runners shelves can be fully pulled out to aid loading and unloading of the oven.

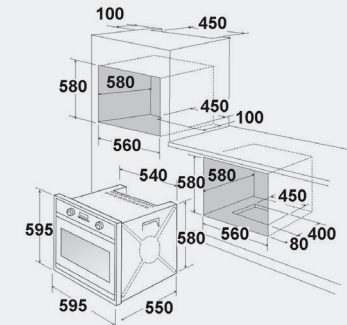
Catalytic Self-cleaning Liners

On the rear and sides of the oven, these self-cleaning liners means less time spent cleaning your oven. Catalytic liners absorb grease and dirt from everyday cooking, and then burn it off at up to about 200°C.

Fully Programmable Timer

The fully programmable touch control operation enables you to set the start and finish time of your cooking where the oven will automatically switch off when finished.

Specifications



| | |
|----------------------------|--|
| Product Dimensions: | H595 x W595 x D550mm |
| Cut-out size (proudmount): | H580 x W560 x D580mm |
| Cut-out size (flushmount): | H598 x W598 x D580mm |
| Power Requirement: | 220-240V – 50Hz |
| Electrical connection: | 15 amp – cable supplied – hard wired |
| Oven volume: | 66 litre capacity |
| Oven Functions: | Fan Forced, Fan Grill, Fan Assist, Bottom Element with Fan, Half Grill, Traditional, Light |
| Lighting: | 25 W |

Oven Elements:

| | |
|----------------------|---------|
| Grill element: | 2200 W |
| Oven bottom element: | 1100 W |
| Fan forced element: | 2300 W |
| Hot air fan motor: | 20-25 W |
| Cooling fan motor: | 25 W |

NOTE: It is advisable to check dimensions of physical product when measuring for installation and before doing any cut outs.

*Due to continual product development the information provided is not final and may be subject to change.